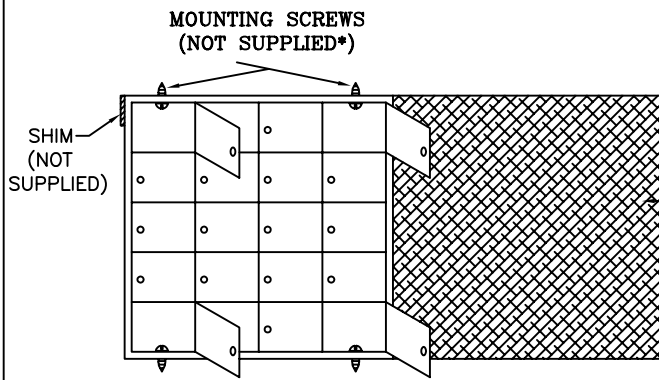
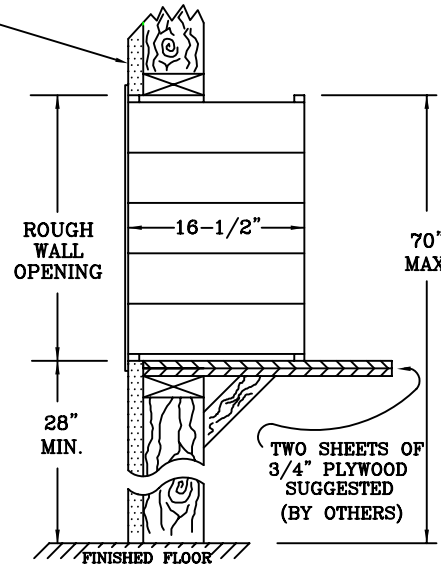
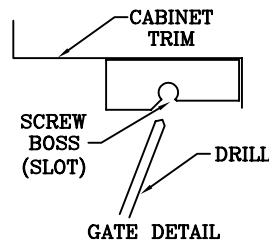


1500/1550/1700 CABINET INSTALLATION INSTRUCTIONS (REAR LOAD)



REFER TO ARCHITECTS CONSTRUCTION DRAWING FOR WALL DETAILS.

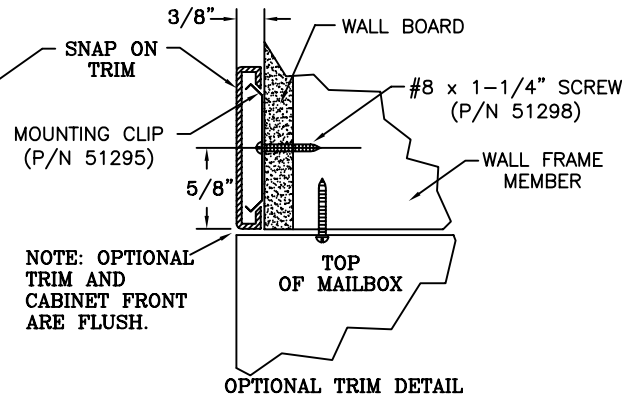
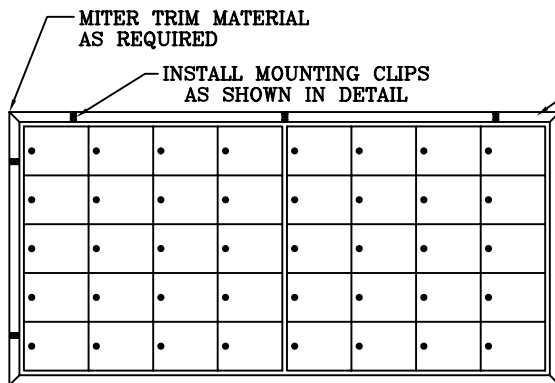
INSTALL NEXT GROUP



NOTE: WHEN SNAP ON TRIM IS USED, CABINET MUST PROJECT 3/8" BEYOND FINISHED WALL TO MAKE A FLUSH SURFACE BETWEEN THE CABINET AND THE TRIM, SEE OPTIONAL TRIM DETAIL.

1. SLIDE FIRST GROUP OF BOXES INTO THE ROUGH OPENING IN WALL.
2. OPEN ALL FOUR CORNER TENANT DOORS AND DRILL HOLES THROUGH GATE FRAME IN SCREW BOSS (SLOT), SEE GATE DETAIL.
3. PARTIALLY INSTALL TWO MOUNTING SCREWS* IN THE TOP AND TWO IN THE BOTTOM.
4. SHIM AS NECESSARY FOR GATE TO OPEN AND CLOSE FREELY. TIGHTEN MOUNTING SCREWS.
5. INSTALL NEXT GROUP OF BOXES THE SAME AS ABOVE.

OPTIONAL SNAP ON TRIM MOUNTING DETAILS



NEXT STEPS ONLY FOR CABINETS WITH OPTIONAL SNAP ON TRIM

6. SCREW MOUNTING CLIP TO WALL USING #8 X 1-1/4" SCREWS, SEE OPTIONAL TRIM DETAIL.
7. HOOK ONE EDGE OF TRIM OVER LEG OF CLIP AND SNAP OVER SECOND LEG OF CLIP.

* FOR CONVENTIONAL LUMBER WE RECOMMEND A #8 X 2" FLAT HEAD WOOD SCREW.

USPS STD-4C COMPLIANT MAILBOX SYSTEMS ARE MANDATORY FOR ALL NEW CONSTRUCTION AND MAJOR RENOVATIONS. MAILBOXES THAT ARE 4B+ COMPLIANT WILL ONLY BE CONSIDERED USPS APPROVED IF THEY ARE REPLACING EXISTING MAILBOXES. CHECK WITH LOCAL POSTAL OFFICIAL PRIOR TO INSTALLING MAILBOX.

1500 SERIES ARE 4B+ COMPLIANT
1550/1700 SERIES ARE NOT 4B+ COMPLIANT

PRODUCT SERIES:

RECOMMENDED MOUNTING DETAILS

FOR 1500/1550/1700 SERIES R/L MAILBOXES

AF FLORENCE
manufacturing company

5935 Corporate Drive • Manhattan, KS 66503
www.florencemailboxes.com • (800) 275-1747

A GIBRALTAR INDUSTRIES COMPANY

MODEL	AF HORZ.	REV	A
SCALE	NONE	LAST REV DATE	7/6/2009
DRAWING NUMBER	CS2059	DRAWN BY	NBC